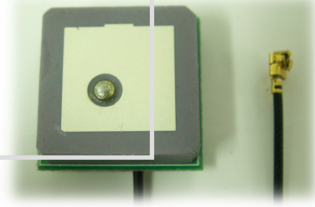


# GPS Active Antenna

## GA-110

GA-110 is an ideal active GPS antenna for your embedded system applications. With 19 x 19 x 7 mm in size, it best fit into your GPS system with maximum performance, also an idea combination for all your GPS applications.



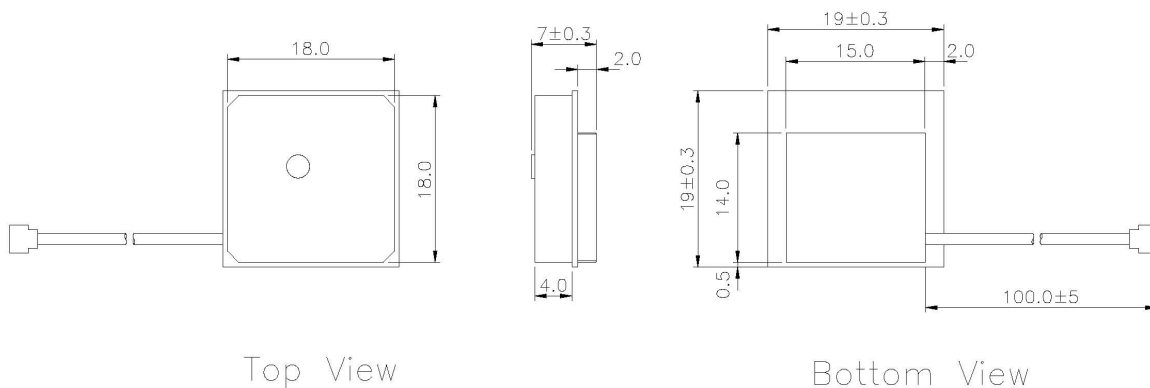
### Key Features:

- Small form factor: 19 x 19 x 7 mm
- Lead-Free – RoHS/WEEE compliant
- High gain up to 15dB
- Low power consumption
- 100mm cable with I-Pex connector

### Applications:

- Handheld devices
- Automotive and Marine Navigation
- Automotive Navigator Tracking
- Emergency Locator
- Geographic Surveying
- Personal Positioning
- Sporting and Recreation
- Embedded applications : PDA, DSC, Smart phone, UMPC, PND, MP4

### Dimension:



TRANSYSTEM INC.

An A<sup>+</sup> supplier of RF microwave & GPS products

Ultimate  
Antenna

# GA-110 Specifications

Item	Symbol	Specification	Unit	Note
Central Frequency	$f_c$	1575±3	MHz	
Output Impedance	$Z_o$	50	Ohm	At $f_c$
Antenna Gain	$G_A$	1	dB	Based on ground size 50x50mm size
LNA Gain	$G_L$	15	dB	
Noise Figure	NF	1.3	dB	
In Band Flatness		1	dB	
Output VSWR		2.0 max		At $f_c$
Supply Voltage	$V_{cc}$	3.0±5%	Vdc	
Power Consumption	$I_{cc}$	<3	mA	
Operating Temperature	$T_{op}$	-30 ~ +85	°C	
Storage Temperature	$T_s$	-40 ~ +125	°C	
Operating Humidity		≤ 95%		Non-condensing
Dimension		19 x 19 x 7	mm	

Note : 1. Standard testing conditions are 25°C, 3V  $V_{cc}$ , 65% RH  
 2. Specifications are subject to exterior case supplied by customer.

\*Specifications subject to change without prior notice.  
 Copyright ©2011 TRANSYSTEM INC. all rights reserved.



No.1-2 Li-Hsin Rd. 1, Science-Based  
 Industrial Park, Hsinchu 300, Taiwan  
 T: +886-3-5780393 / F: +886-3-5784111  
[sales@transystem.com.tw](mailto:sales@transystem.com.tw)  
[www.transystem.com.tw](http://www.transystem.com.tw)