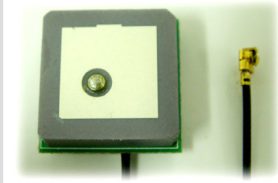


GPS Active Antenna

GA-140

GA-140 is an ideal active GPS antenna for your embedded system applications. With 19 x 19 x 7 mm in size, it best fit into your GPS system with maximum performance. Together with Transystem's EB-230 GPS engine board, this is an idea combination for all your GPS applications.



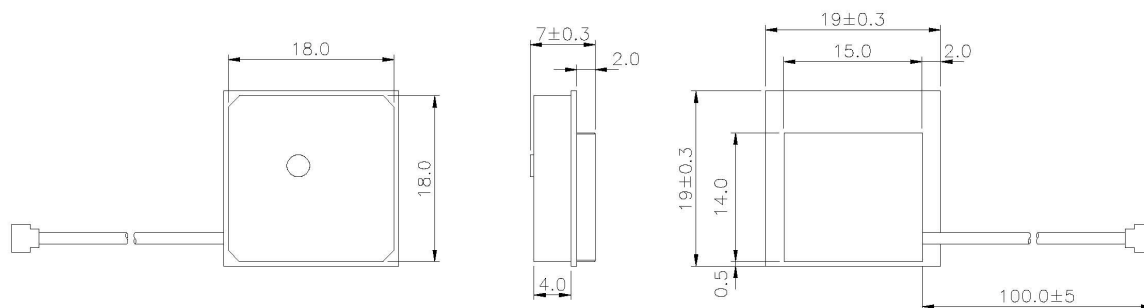
Key Features:

- Small form factor: 19 x 19 x 7 mm
- Lead-Free – RoHS/WEEE compliant
- High gain up to 30dB
- Low power consumption
- 100mm cable with I-Pex connector

Applications:

- Handheld devices
- Automotive and Marine Navigation
- Automotive Navigator Tracking
- Emergency Locator
- Geographic Surveying
- Personal Positioning
- Sporting and Recreation
- Embedded applications : PDA, DSC, Smart phone, UMPC, PND, MP4

Dimension :



Top View

Bottom View



TRANSYSTEM INC.

An A+ supplier of RF microwave & GPS products

Ultimate
Antenna

GA-140 Specifications

Item	Symbol	Specification	Unit	Note
Central Frequency	f_c	1575±3	MHz	
Output Impedance	Z_o	50	Ohm	At f_c
Antenna Gain	G_A	-1	dB	Elevation 90 degree
Axial Ratio	R_a	4 _{max}	dB	Elevation 90 degree
LNA Gain	G_L	30	dB	At f_c , No SAW filter
Noise Figure	NF	1.5	dB	At f_c , 1.8dB Max.
In Band Flatness		1	dB	$\leq f_c \pm 1\text{MHz}$
Output VSWR		2.0 _{max}		At f_c
Supply Voltage	V_{cc}	3±5%	Vdc	
Power Consumption	I_{cc}	6	mA	
Operating Temperature	T_{op}	-30 ~ +85	°C	
Storage Temperature	T_s	-40 ~ +125	°C	
Operating Humidity		$\leq 95\%$		Non-condensing
Dimension		19 x 19 x 7	mm	

Note : 1. Standard testing conditions are 25°C, 3V V_{cc} , 65% RH
 2. Specifications are subject to exterior case supplied by customer.

*Specifications subject to change without prior notice.
 Copyright ©2011 TRANSYSTEM INC. all rights reserved.



No.1-2 Li-Hsin Rd. 1, Science-Based
 Industrial Park, Hsinchu 300, Taiwan
 T: +886-3-5780393 / F: +886-3-5784111
sales@transystem.com.tw
www.transystem.com.tw