

GPS Engine Board

EB-6200

EB-6200 is a complete GPS sub-system of **16x22x5.8mm** in size. It has integrated patch antenna and 6 pins FPC connector interface.

It provides superior navigation performance under dynamic conditions in areas with limited sky view like urban canyons.

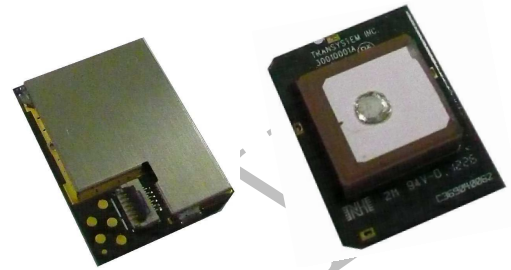
EB-6200 has high receiving sensitivity up to **-163dBm** for weak signal operation without compromising accuracy.

Key Features :

- Small form factor: 16x22x5.8 mm
- Integrated 12x12x3.5 mm patch antenna
- 6 pin FPC connector
- Lead-Free – RoHS/WEEE compliant
- Acquisition: -154dBm; Tracking: -163dBm
- Support QZSS and SBAS
- WAAS/EGNOS/MSAS/GAGAN supported
- Fast Position Fix
- Ultra low power consumption
- Support CGEE orbit prediction

Applications :

- Automotive and Marine Navigation / Tracking
- Emergency Locator
- Geographic Surveying
- Personal Positioning
- Sporting and Recreation



TRANSYSTEM INC.

An A+ supplier of RF microwave & GPS products

Ultimate

EB

Specifications

<i>Item</i>	<i>Description</i>
General	L1 frequency, C/A code (SPS) 48 track verification channels
Sensitivity*	-163dBm /Tracking; -154dBm /Acquisition
Update Rate	1Hz
Accuracy	<3m CEP (50%) without SA 2.5m DGPS (WAAS, EGNOS, MSAS)
Acquisition (open sky)	Cold Start: 35sec Warm Start: 35sec Hot Start: 1sec
Reacquisition	< 1sec
Dynamics	Altitude: 50,000m (max.) Velocity: 500m/sec (max.) Vibration: 4G (max.)
NMEA	NMEA0183 v3.1 Output period (second): GGA(1), GSA(1), GSV(5), RMC(1)
Datum	WGS-84
Antenna	Integrated 12 x12 x 3.5 mm patch antenna
Power Supply	DC 2.5V ~ 5.5V
Current	<25mA @ 3.0V / Tracking
Interface	UART, Baud rate : 9600
Connector	6 pin FPC connector
Dimension	16x22x5.8
Operating Temp.	-40°C to 85°C
Storage Temp.	-40°C to 85°C
Operating Humidity	≤ 95%, non condensing

* Refer to chip specification.

** Specifications subject to change without prior notice.

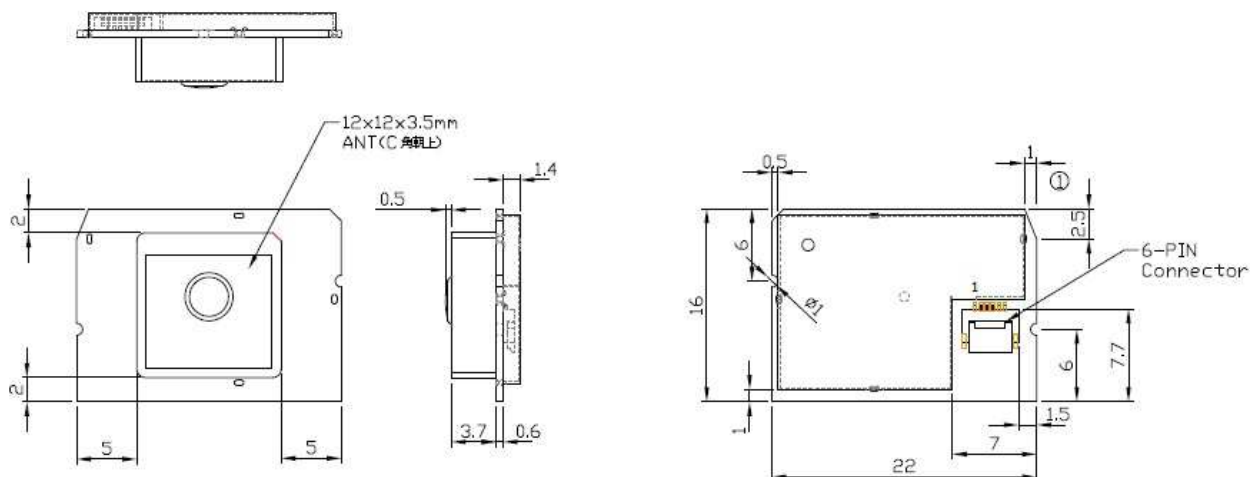
© 2013 TRANSYSTEM INC. all rights reserved.

Pin Definition

Pin # FPC	Name	Type	Description
1	ON/OFF	I	Power control pin A 100ms width high pulse will toggle EB-6200 state between ON and OFF
2	VCC	P	VCC 2.5V~5.5Vdc
3	NC	-	NC
4	RX	I	UART input to EB-6200
5	TX	O	UART output from EB-6200
6	GND	P	GND

P: Power I: Input O: Output I/O*: Input or Output, Open if not used

Mechanical Dimensions



No. 1-2, Li-Hsin Road I,
Hsinchu 300, Taiwan, R.O.C.
t: +886-3-5780393 / f: +886-3-5784111
sales@transystem.com.tw
www.transystem.com.tw