

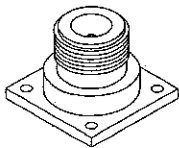
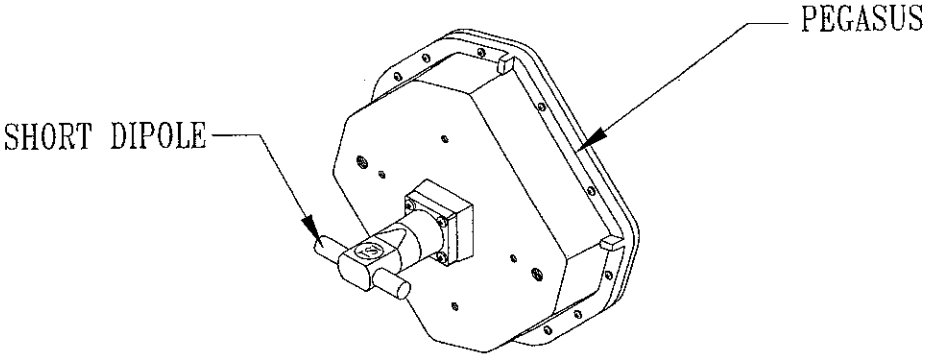
Installation Manual
of
PEGASUS
(Two Way MMDS Transceiver)

TRANSYSTEM INC.

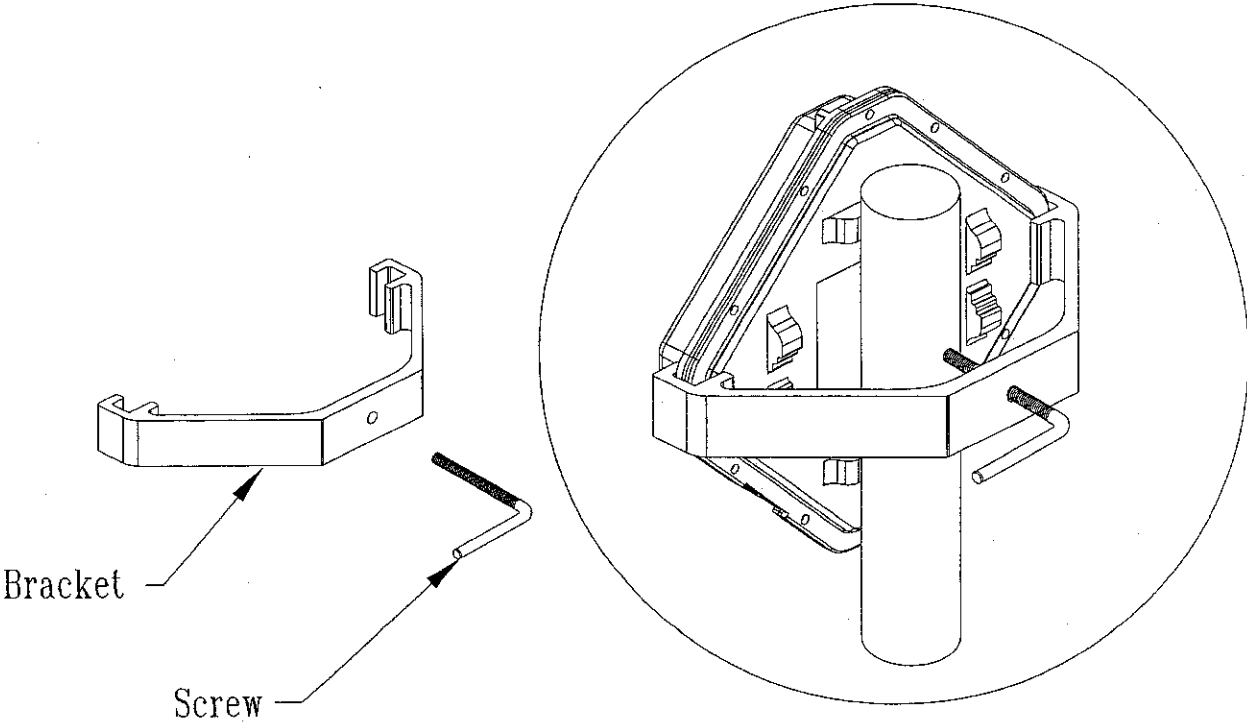


No.1-2 Li-Hsin Rd.I Science-Based
Industrial Park, Hsinchu, Taiwan
Tel:+886-3-5780393 Fax:+886-3-5784111
e-mail: sales@transystem.com.tw
website: www.transystem.com.tw

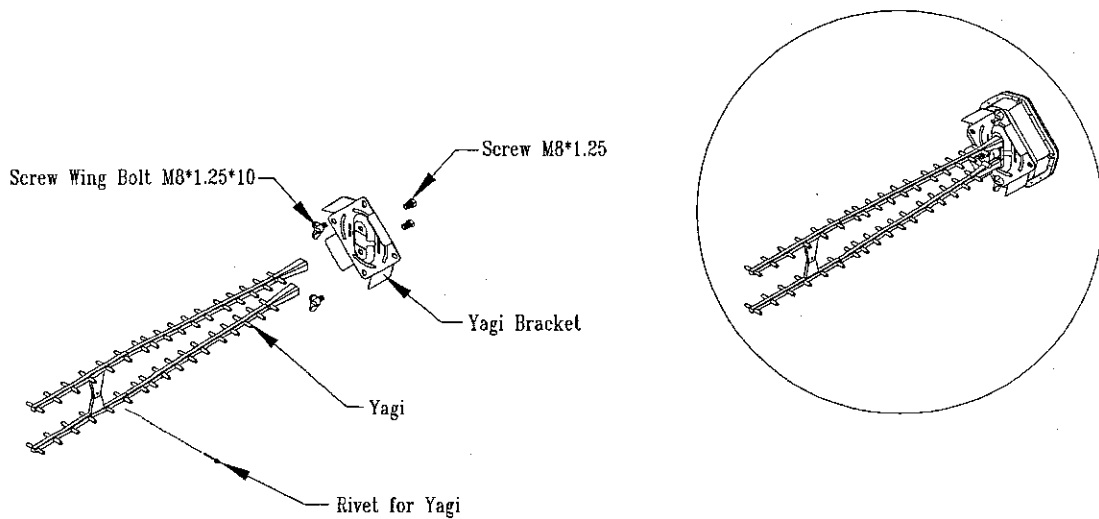
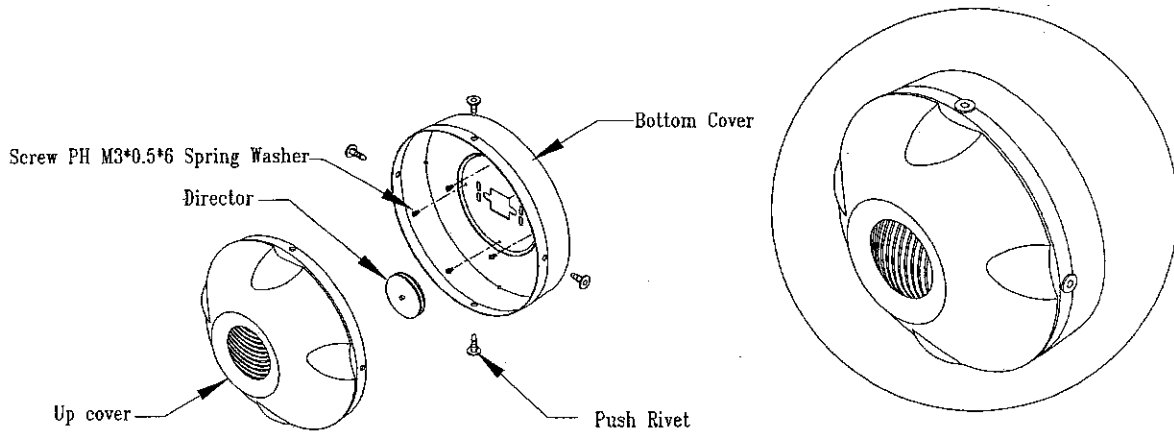
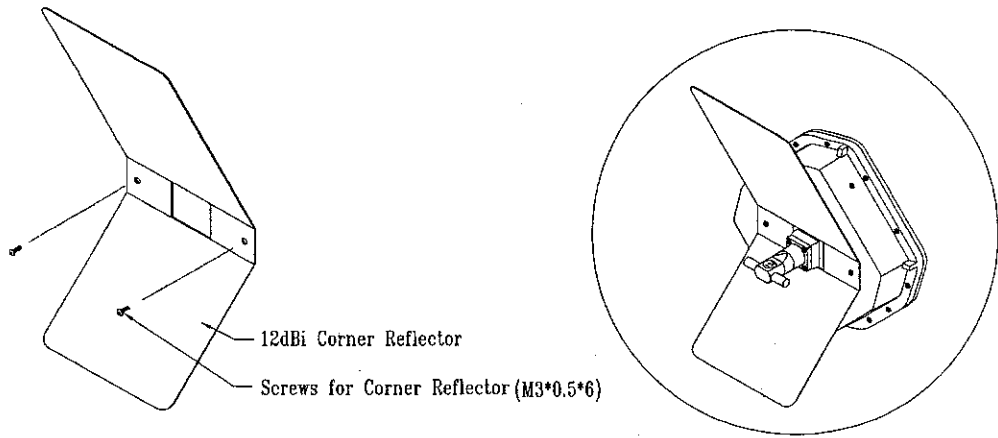
TranSystem PEGASUS Two Way MMDS Transceiver and Accessories



N-Type ADAPTER (Application detail on 8-8)

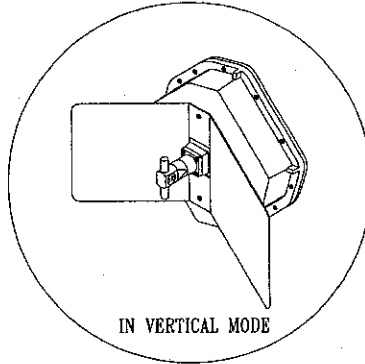
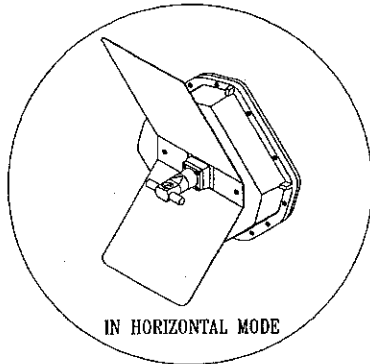


Accessories for PEGASUS



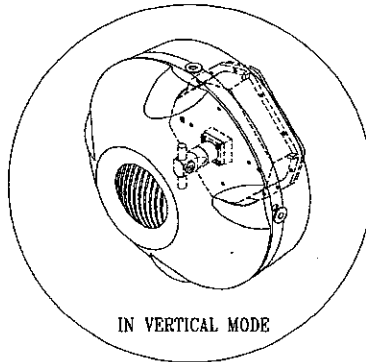
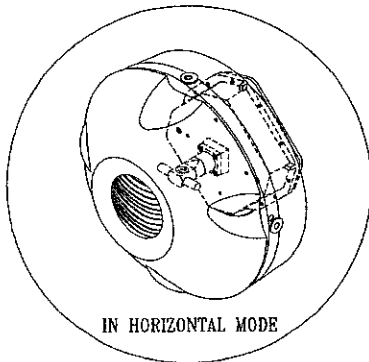
PEGASUS with Various Antenna Combinations

PEGASUS integrated with 12dBi Corner Reflector



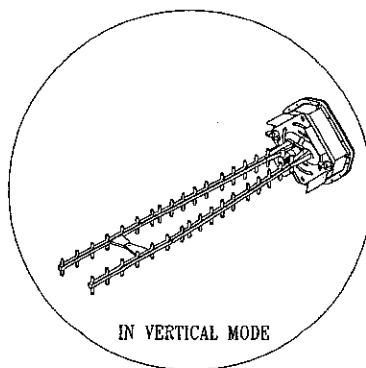
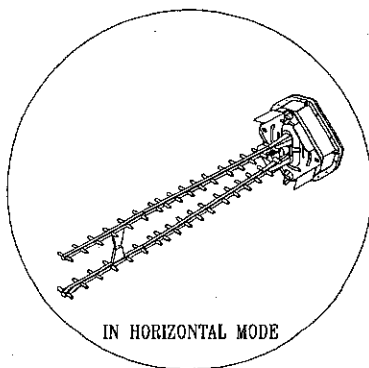
Check 8-4 for detail

PEGASUS integrated with 15dBi Spotbeam



Check 8-5 for detail

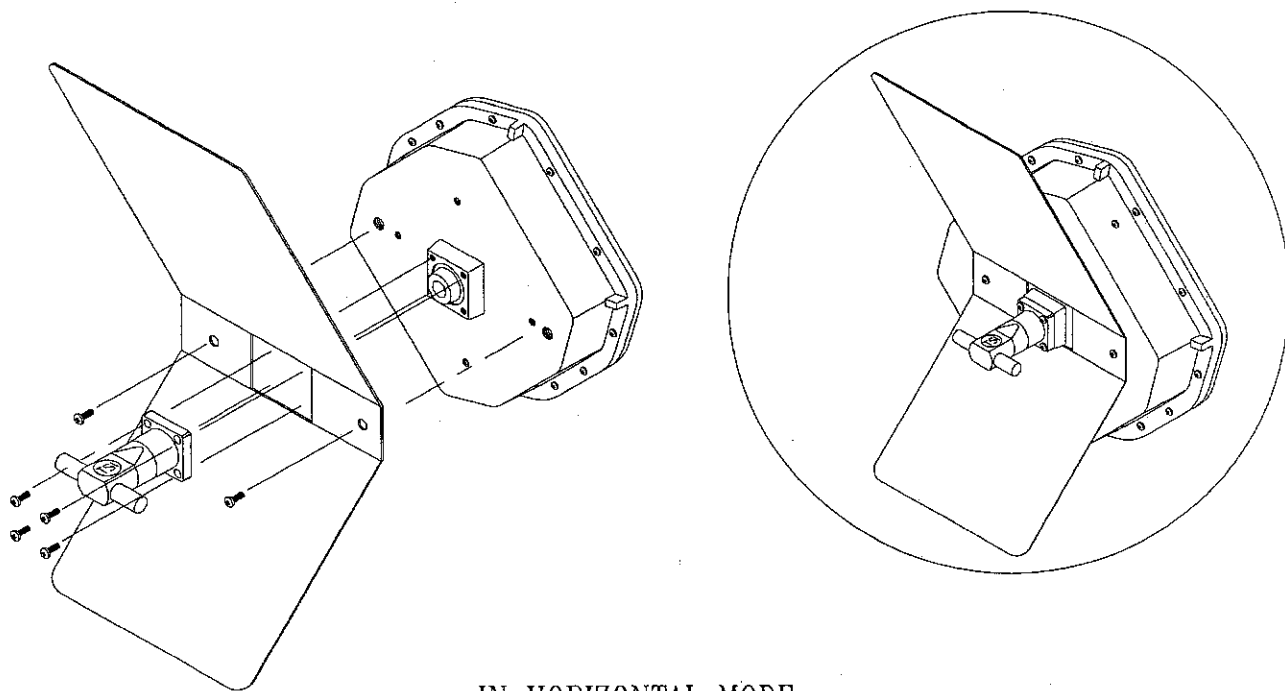
PEGAUSU integrated with 18dBi Yagi



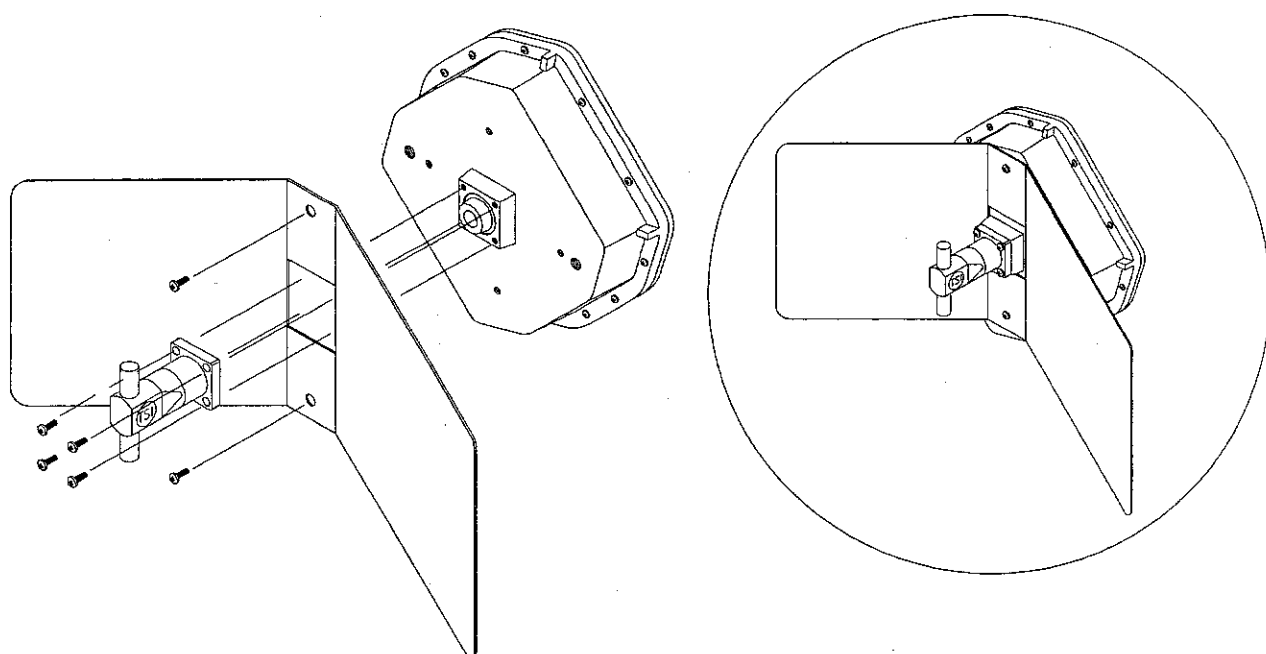
Check 8-6 for detail



PEGASUS integrated with 12dBi Corner Reflector

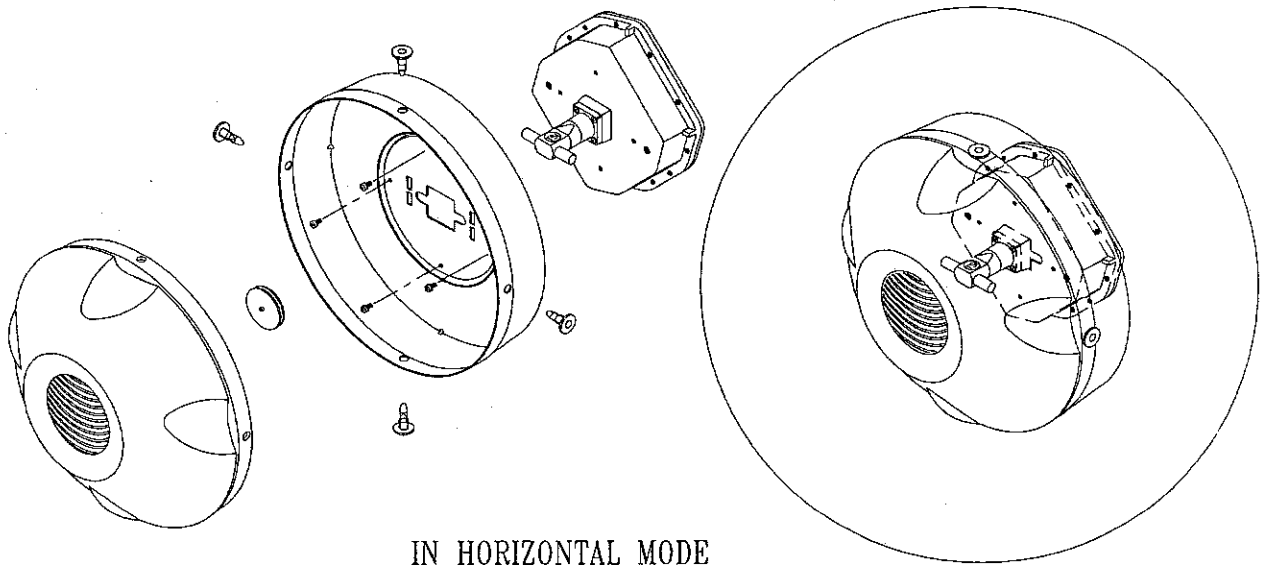


IN HORIZONTAL MODE

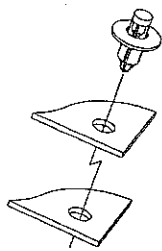


IN VERTICAL MODE

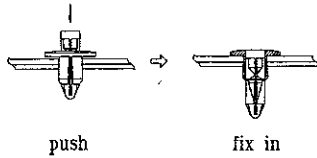
PEGASUS Integrated with 15dBi Spotbeam Antenna



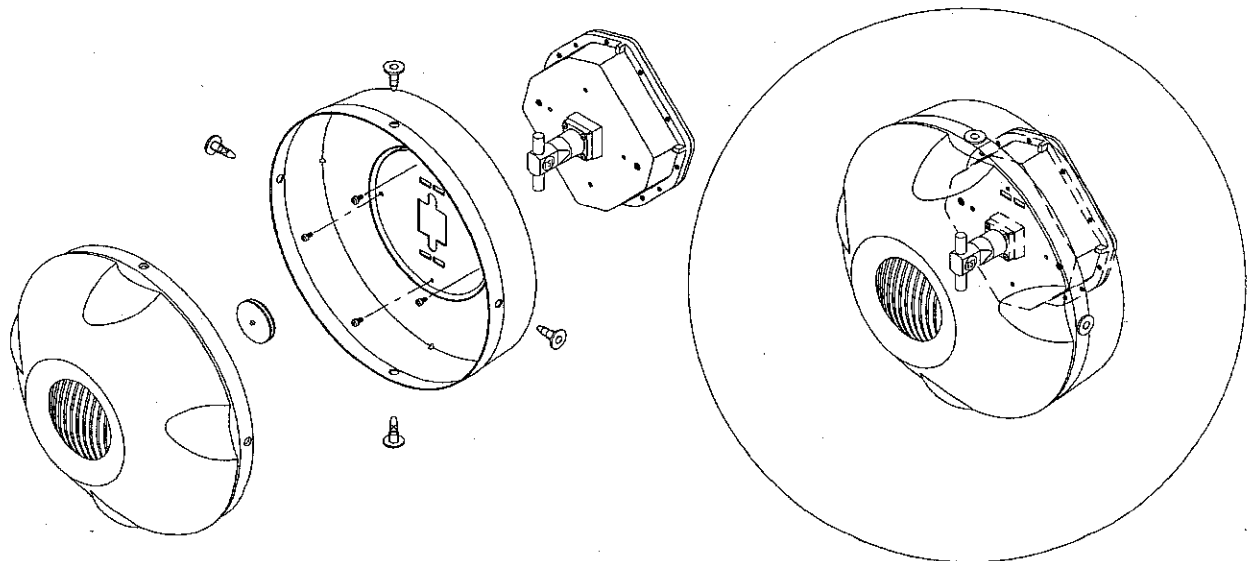
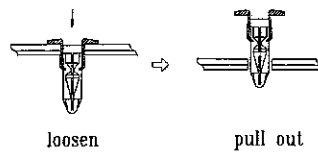
IN HORIZONTAL MODE



1. Push to fix in.

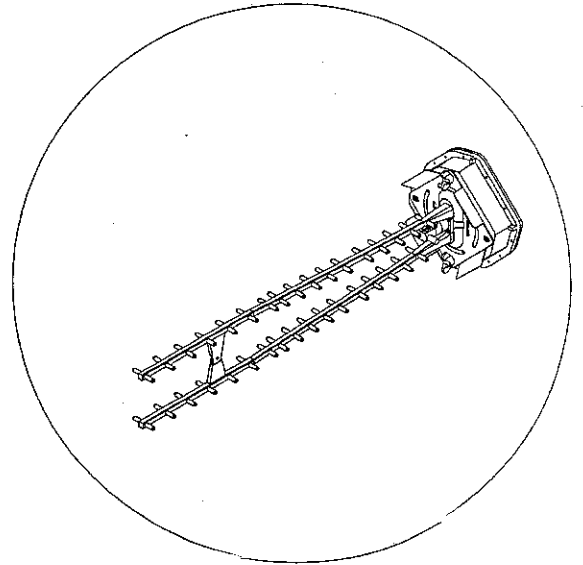
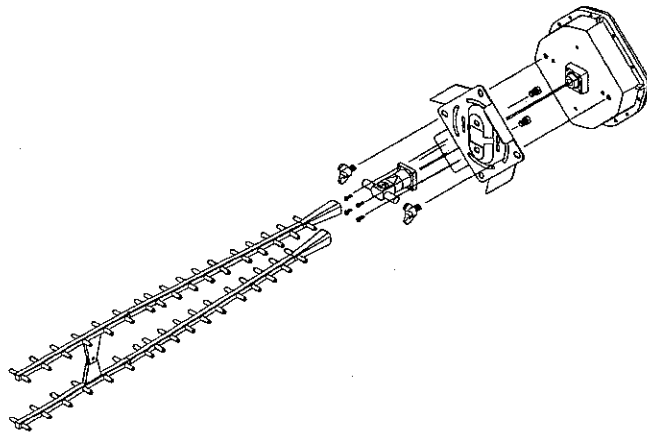


2. Push the center pin to remove.

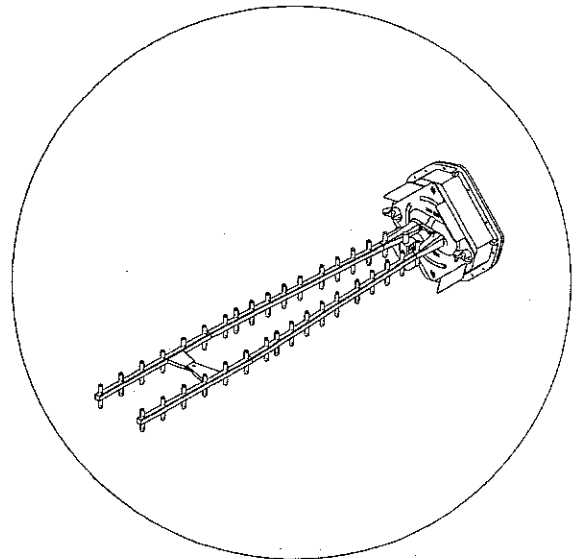
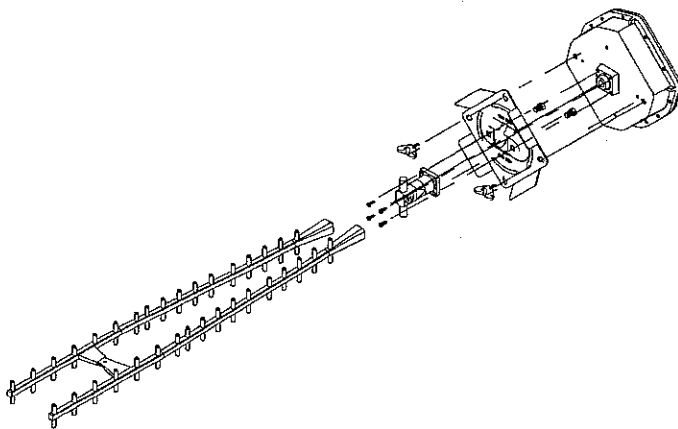


IN VERTICAL MODE

PEGASUS integrated with 18dBi Yagi Antenna

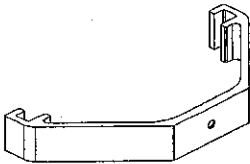


IN HORIZONTAL MODE



IN VERTICAL MODE

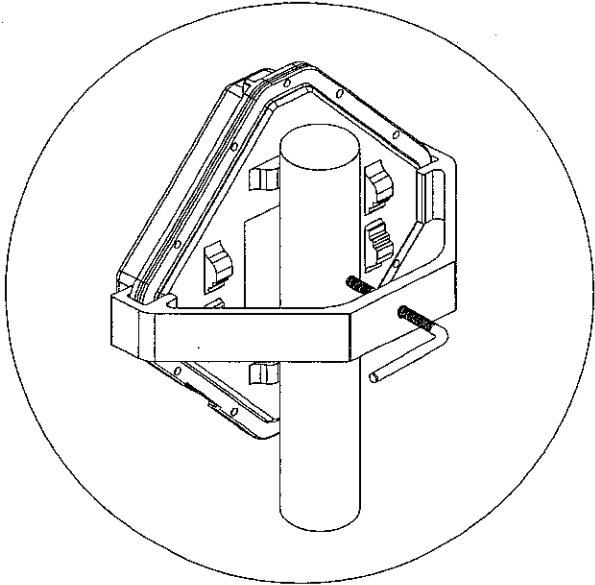
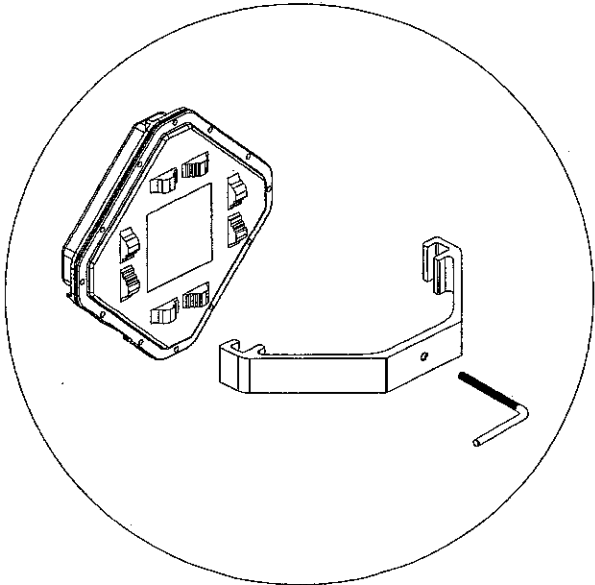
PEGASUS Mounting Bracket Assembly Guide



BRACKET



SCREW(M6*1.0)



PEGASUS for Standalone application

