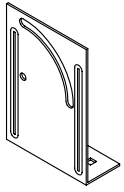




AiDC+ MOUNTING BRACKET SET MATCHES with TAC-A12 TAS-A15 ANTENNA TAV-A17



(Mounting Bracket)



(U Bolt)



(Bracket 2)



(Screw)

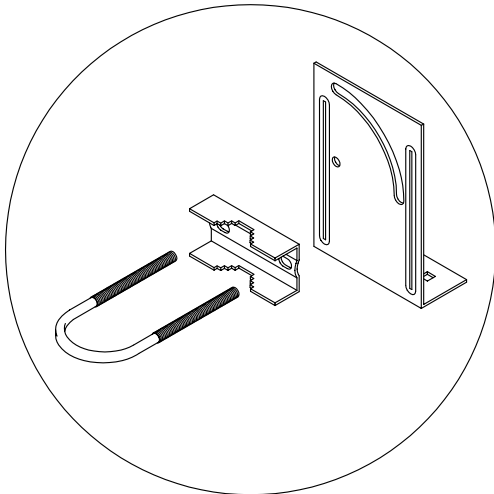


(Hex Flange Nuts)

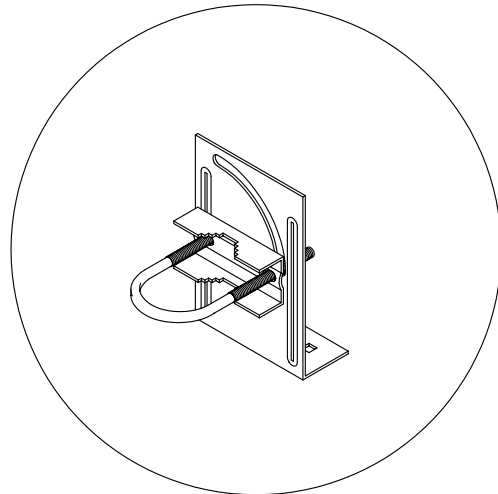
A set of mounting bracket. includes one mounting bracket, one bracket 2, one U bolt, two screws, and four hex flange nuts.

Recommended Assembly Steps:

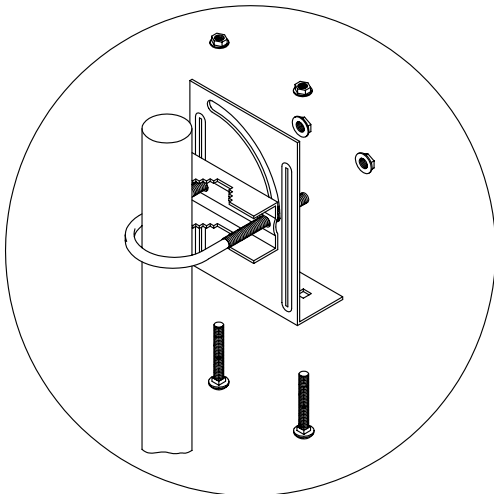
1



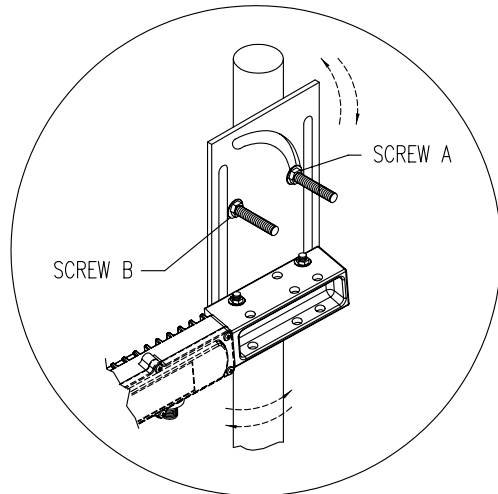
2



3



4



– Loosen SCREW A & B for left-and-right and up-and-down angle adjustments.